

Overview

Genesis ceiling speakers are small, compact, and attractive audible emergency signaling devices. Protruding no more than one inch from the ceiling, Genesis speakers blend with any decor.

Signals feature textured housings in architecturally neutral white or eye-catching fire alarm red. An ingenious iconographic symbol indicates the purpose of the device. This universal symbol is code-compliant and is easily recognized by all building occupants regardless of what language they speak. Models with "FIRE" markings are also available.

Genesis ceiling speakers feature ¼ W to 2 W operation, which is selectable with a conveniently-located switch. The wattage tap setting remains clearly visible even after final installation, yet it is locked in place to prevent movement after installation.

All Genesis ceiling speakers include a DC blocking capacitor to allow electrical supervision of the audio distribution circuit. Models for 25 V_{RMS} and 70 V_{RMS} audio circuits are available. The mylar speaker with its sealed back construction is extra durable, is impervious to moisture and provides improved audibility.

Standard Features

- **Unique low-profile design**
 - Attractive appearance
 - No visible mounting screws
 - Available with white or red housings
- **Field configurable – no need to remove the device!**
 - Select ¼, ½, 1, or 2 watt operation
 - Switch setting remains visible even after the unit is installed
- **Unparalleled performance**
 - Loud 90 dBA output ensures clear, crisp audio
 - 25 Vrms and 70 Vrms models available, all supplied with a DC blocking capacitor for audio circuit supervision
- **Easy to install**
 - Fits all standard 4" square electrical boxes with plenty of room behind the signal for extra wire – no extension ring or trim plate needed
 - #18 - #12 AWG terminals – ideal for long runs, existing wiring
- **Approved for public and private mode applications**
 - UL 1480-listed as fire alarm speaker
 - UL/ULC listed for ceiling or wall use

Field Configurable Ceiling Speaker

Genesis Series



Application

The suggested sound pressure level for each signaling zone used with alert or alarm signals is a minimum of 15 dB above the average ambient sound level or 5 dB above the maximum sound level having a duration of at least 60 seconds, whichever is greater. This is measured 5 feet (1.5 m) above the floor. The average ambient sound level is the A-weighted sound pressure measured over a 24-hour period.

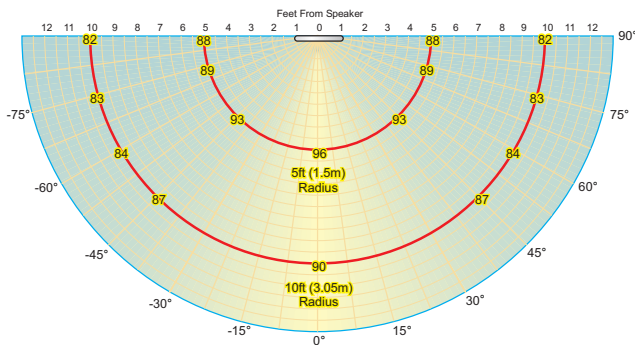
Doubling the distance from the signal to the ear will theoretically cause a 6 dB reduction in the received sound pressure level. The actual effect depends on the acoustic properties of materials in the space. Doubling the power output of a device (e.g.: a speaker from 1 W to 2 W) will increase the sound pressure level by 3 dBA. A 3 dBA difference represents a barely noticeable change in volume.

Application Notes - Canada

(Based in part on 1995 Canada National Building Code)

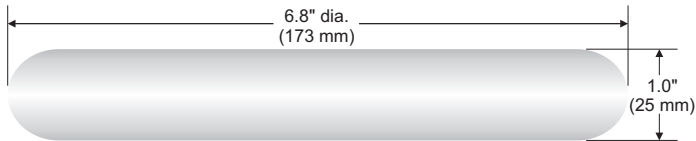
The fire alarm signal sound pressure level shall not exceed 110 dBA in any normally occupied area. The sound pressure level from an audible signal in a floor area used for occupancies other than residential occupancies shall not be less than 10 dBA above ambient levels, and never less than 65 dBA. In sleeping rooms the sound pressure level from an audible signal shall not be less than 75 dBA when any intervening doors between the device and the sleeping room are closed.

Typical Sound Output (dBA)



Measured at 2 watts setting in anechoic chamber

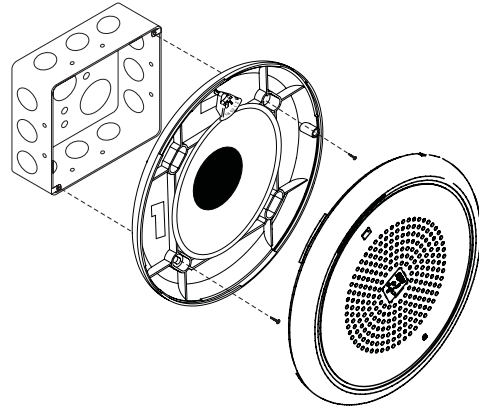
Dimensions



Installation and Mounting

All models are intended for indoor ceiling or wall applications only. Speakers are flush mounted to a North-American 4" square electrical box, 2¹/₈" (54 mm) deep or a European 100 mm square box.

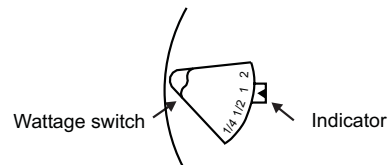
Genesis ceiling speakers simply unlatch and twist to open. This gains access to mounting screws. The shallow depth of Genesis devices leaves ample room behind the signal for extra wiring. Once installed with the cover in place, no mounting screws are visible.



GE Security recommends that these fire alarm speakers always be installed in accordance with the latest recognized edition of national and local fire alarm codes.

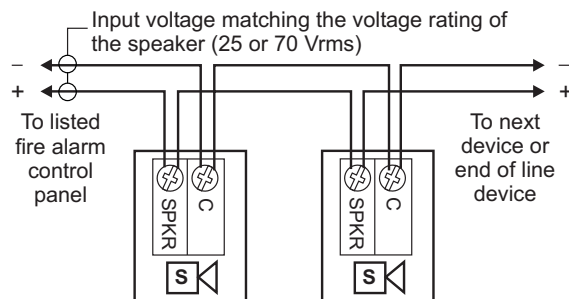
Field Configuration

Genesis ceiling speakers may be set for ¼, ½, 1, or 2 watt operation. Wattage may be changed by simply opening the device and sliding the switch to the desired setting. The speaker does not have to be removed to change the output setting. The setting remains visible through a small window on the front of the device after the cover is closed.



Wiring

Field wiring terminals accommodate #18 to #12 AWG (0.75 mm² to 2.5 mm²) wiring.



Sound Level Output

Wattage	25V	25V	70V	70V
	UL Rated*	Typical	UL Rated*	Typical
¼ W	80 dBA	80.7 dBA	80 dBA	81.1 dBA
½ W	84 dBA	83.7 dBA	84 dBA	83.5 dBA
1 W	87 dBA	87.1 dBA	87 dBA	87.2 dBA
2 W	90 dBA	90.1 dBA	91 dBA	90.2 dBA

*Sound level output notes:

dBA = Decibels, A-weighted

UL1480: Sound level output at 10 ft (3.05 m) measured in a reverberant room using 400 to 4,000 Hz band limited pink noise.

ULC-S541: Meets or exceeds 85 dBA in an anechoic chamber at 10 ft (3.05 m).

Directional characteristics: Within 6 dB of on-axis sound level when measured 90° off-axis (horizontal).

Specifications

Housing	Textured UV stabilized, color impregnated engineered plastic. Exceeds 94V-0 UL flammability rating. Red and white models available.
Wire connections	Screw terminals: polarized inputs for speaker, #18 to #12 AWG (0.75 mm ² to 2.5 mm ²) wire size
Mounting	Flush mount to North American 4-inch square electrical box, 2-1/8 (54 mm) inches deep, or 960A-4RF round flush box. No extension ring required. Suitable for indoor wall or ceiling applications.
Operating environment	Indoor: 32-120° F (0-49° C) ambient temperature; 0-93% relative humidity.
Agency listings/approvals	Meets or exceeds UL1480 Fifth Edition, ULC-S541, and CSFM (FM and MEA pending).
Input/Operating Voltage	25 Vrms (Model S2) or 70 Vrms (Model S7).
Speaker Cone	Speaker frequency response: 250-13,000 Hz. Optimized for voice intelligibility. 4-inch (102mm) mylar cone, sealed back construction, rated for 8 watts, 8 ohm voice coil.

Ordering Information

Catalog Number	Housing Color	Marking	Description	Ship Wt. lbs (kg)
GC-S2	White	None	25 Volt Speaker with selectable ¼, ½, 1, or 2 watt taps.	1.62 (0.73)
GCF-S2	White	"FIRE"		
GCFR-S2	Red	"FIRE"		
GC-S7	White	None	70 Volt Speaker with selectable ¼, ½, 1, or 2 watt taps.	1.62 (0.73)
GCF-S7	White	"FIRE"		
GCFR-S7	Red	"FIRE"		



White Field Configurable Ceiling Speakers may be ordered with or without optional 'FIRE' marking. Red speakers come with 'FIRE' marking.

GE Security

U.S.
T 888-378-2329
F 866-503-3996

Canada
T 519 376 2430
F 519 376 7258

Asia
T 852 2907 8108
F 852 2142 5063

Australia
T 61 3 9259 4700
F 61 3 9259 4799

Europe
T 32 2 725 11 20
F 32 2 721 86 13

Latin America
T 305 593 4301
F 305 593 4300

www.gesecurity.com/est

© 2006 General Electric Company
All Rights Reserved

Genesis Series is a Trademark
of GE Security.



imagination at work