

Overview

The GE Security 5533BD signal is a heavy-duty industrial, tone-selectable, signaling device capable of producing volume-controlled, high-decibel tones. The signal delivers one audible output signal selected from the 19 available tones. The tone is selected by setting a miniature switch on the unit.

Standard Features

- Diode polarized for field wiring supervision
- 19 tone capability – no additional tone modules needed
- Four three-pulse temporal tones
- Internal volume control
- One Input, one output
- Corrosion-resistant heat flowed epoxy finish

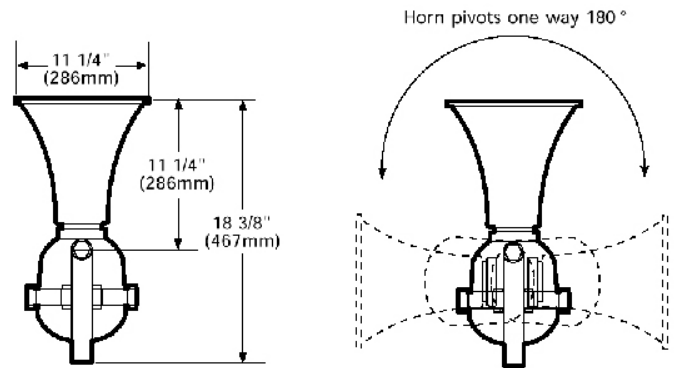
Application

The 5533BD signal is intended for use in fire alarm systems and other applications that require electrical supervision of signal circuit field wiring, particularly where a high decibel sound is required for alert or evacuation in hazardous locations. Typical applications include signaling use in mining, granaries, flour mills, tankers, refineries, laboratories, spray booths, and other hazardous locations. The 5533BD signal is suitable for indoor applications only and is not weatherproof.

Installation

5533BD signals mount with three bolts on any solid surface. To maximize effective signal direction, the trumpet can be swivelled through 180 degrees horizontally or 180 degrees vertically, depending on the orientation of the mounting yoke.

All field wiring is made to tagged wire leads. Each unit is fitted with a sealed, threaded ½-inch (13 mm) fitting.



Hazardous Location Multiple Tone Signal 5533BD



U.S.
T 888-378-2329
F 866-503-3996

Canada
T 519 376 2430
F 519 376 7258

Asia
T 852 2907 8108
F 852 2142 5063

Australia
T 61 3 9259 4700
F 61 3 9259 4799

Europe
T 32 2 725 11 20
F 32 2 721 86 13

Latin America
T 305 593 4301
F 305 593 4300

www.gesecurity.com/est

© 2006 General Electric Company
All Rights Reserved

Field-selectable Tones

Tone	Description	Standard Volume	High Volume
Ding-Dong	Percussive pairs of 700 and 570 Hz tones, each damped to zero	106	109
Warble	575 and 770 Hz alternately, 87 ms each	106	109
Siren	600-1250 Hz up and down sweep in 8 seconds and repeat	110	114
Stutter Percussive	470 Hz, 83 ms on, 109 ms off	103	106
Slow Whoop	600-1250 Hz upward sweep in 4 seconds and repeat	110	114
Beep	470 Hz, 0.55 seconds on, 0.55 seconds off	103	106
Chime 1	700 Hz percussive repeat at 1 Hz	106	109
Fast Whoop	600-1250 Hz upward sweep in 1 second and repeat	110	114
Hi/Lo	780 to 600 Hz alternately, 0.52 seconds each	106	109
Rapid Siren	600-1250 Hz up and down sweep in 0.25 seconds and repeat	110	114
Yeow	1250-600 Hz downward sweep in 1.6 seconds and repeat	110	114
Horn	470 Hz continuous	103	106
Air Horn	370 Hz continuous	106	109
Dual Tone	450-500 Hz, 0.4 to 0.5 second cycle	103	106
Chime 2	575 Hz percussive repeat at 1 Hz	106	109
Three-Pulse Horn	470 Hz, 3 0.5 second pulses separated by 0.5 seconds followed by a 1.5 second delay and repeat	103	106
Three-Pulse Air Horn	370 Hz, 3 0.5 second pulses separated by 0.5 seconds followed by a 1.5 second delay and repeat	106	109
Three-Pulse Dual Tone	450-500 Hz, 0.4 to 0.5 second cycle, 3 0.5 second pulses separated by 0.5 seconds followed by a 1.5 second delay and repeat	106	109
Three-Pulse Chime 2	575 Hz, 3 0.5 second pulses separated by 0.5 seconds followed by a 1.5 second delay and repeat	103	106

*Ratings taken in an anechoic chamber with signal volume control set at maximum and measurements made on an "A" weighted scale with peak hold.

Specifications

UL Listing - for both Divisions 1 and 2	Class I, Groups B, C and D
Nominal Operating Voltage	20 - 24 Vdc
Current Draw — Standby	61 mA
Current Draw — Operating	440 mA
Wiring Connections	Tagged Wire Leads
Finish	Corrosion-resistant heat flowed epoxy

Ordering Information

Cat. No.	Description	Shipping Weight
5533BD-AW	Diode Polarized Hazardous Location Signal — Class I, Division 1 & 2, Groups B, C and D	25 lb (11.5 kg)



imagination at work