

## Overview

GE Security 5520D series Duotronic signals are diode-polarized, heavy duty, extremely high-decibel signaling appliances for use in Fire Alarm applications where a diode supervised signal is required. Colored sage gray, the 5520D series signals will function as either a horn or siren by setting an internal tamper-proof switch. Signals are available in 24 Vdc or 120 Vac models.

## Standard Features

- 24 Vdc or 120 Vac/60 Hz
- Solid-state
- Extremely high dB
- Suitable for coded signals
- Swivel/adjustable mounting
- Outdoor/weatherproof option
- Polarized
- Low current draw
- Mounts to one-gang opening

## Application

Use 5520D signals in high noise areas, such as schools, factories, lumber yards and commercial installations, where high sound output levels are required.

# Horn/Siren Combination

## 5520D Series



U.S.  
T 888-378-2329  
F 866-503-3996

Canada  
T 519 376 2430  
F 519 376 7258

Asia  
T 852 2907 8108  
F 852 2142 5063

Australia  
T 61 3 9259 4700  
F 61 3 9259 4799

Europe  
T 32 2 725 11 20  
F 32 2 721 86 13

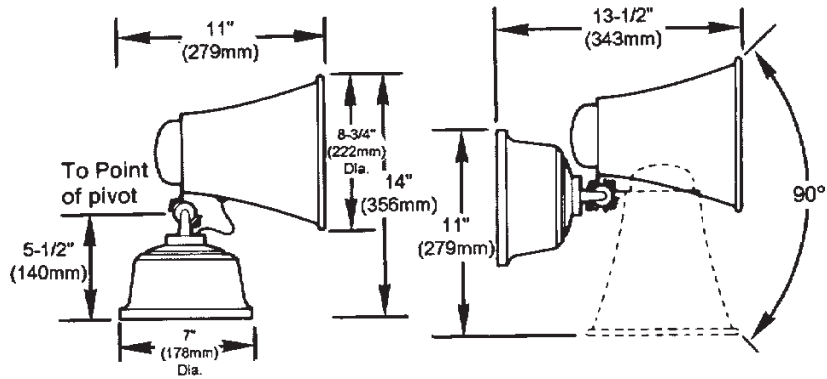
Latin America  
T 305 593 4301  
F 305 593 4300

[www.gesecurity.com/est](http://www.gesecurity.com/est)

© 2006 General Electric Company  
All Rights Reserved

## Installation

5520D series Duotronic signals include an adaptaplate which permits mounting to a standard single gang, 3¼, 3½, or 4 inch octagon outlet box, or a 4 inch square box, or without a box, directly to the wall or ceiling. For weatherproof installations, use a GE Security Cat. No. 349 back box, ordered separately.



## Specifications

Catalog Number	5520D-N5	5520D-AW
Nominal Operating Voltage	120 Vac 50/60 Hz	20 - 24 Vdc
Current Draw	280 mA	350 mA
Sound Pressure Output	Horn - 114 dBA at 10 ft (3m); Siren - 112 dBA at 10 ft (3m)	
Horn Characteristic	Predominant 1.1 KHz (Suitable for coded signals)	
Siren Characteristic	Rises and falls 600 to 1300 Hz every three seconds (Not suitable for coded signals)	
Wiring Connections	Color-coded wire leads with quick-disconnect plug	
Finish	Metallic gray enamel	
Approvals	UL, FM	

## Ordering Information

Cat. No.	Description	Ship Wt.
5520D-N5	Horn/Siren Combination - 120 Vac/60 Hz	25 lb (11.5kg)
5520D-AW	Horn/Siren Combination - 24 Vdc	25 lb (11.5kg)

Accessories		
349	Weatherproof Backbox	0.5lb (0.2kg)



imagination at work