

## Overview

GE Security die-cast weatherproof backboxes are perfect for mounting a variety of GE Security signaling appliances such as bells, horns and sirens. They are made from die-cast aluminum and finished at the factory with a baked "Sage Gray" enamel finish. All boxes are shipped complete with a molded neoprene gasket. They all feature 3/4 inch tapped conduit entries.

Three models are available:

### Catalog Number 348

- fits four inch (100mm) 325 and 340T bells

### Catalog Number 349

- fits six inch (150mm) and 10 inch (250mm), 325 bells plus 5520D Horn/Siren

### Catalog Number 449

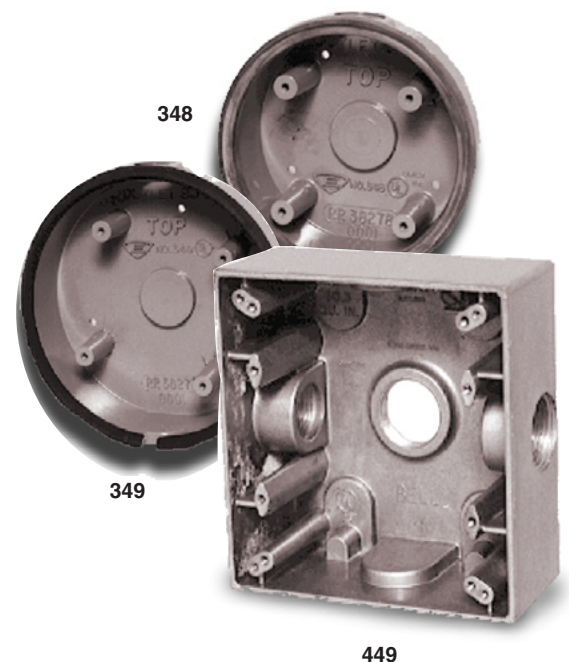
- fits six inch (150mm), eight inch (203mm) and 10 inch (250mm) 438 and 439 series bells and CS405 strobes.

## Standard Features

- Die-cast aluminum
- Surface mount
- Gray baked enamel finish
- Weatherproof gasket included

# Weatherproof Mounting Boxes

Models 348/349/449



U.S.  
T 888-378-2329  
F 866-503-3996

Canada  
T 519 376 2430  
F 519 376 7258

Asia  
T 852 2907 8108  
F 852 2142 5063

Australia  
T 61 3 9259 4700  
F 61 3 9259 4799

Europe  
T 32 2 725 11 20  
F 32 2 721 86 13

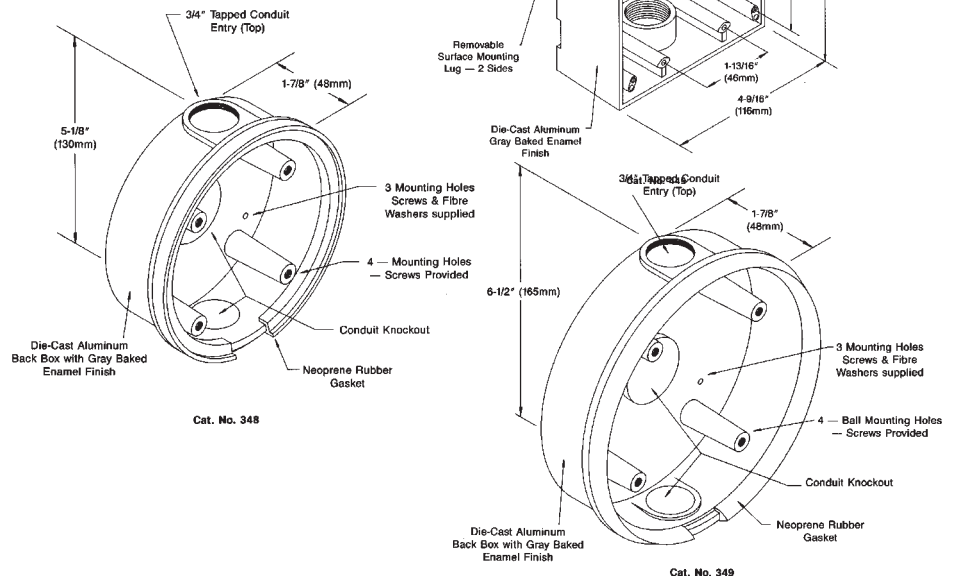
Latin America  
T 305 593 4301  
F 305 593 4300

www.gesecurity.com/est

© 2006 General Electric Company  
All Rights Reserved

## Installation

GE Security recommends that these backboxes always be installed in accordance with the latest recognized editions of national and local fire alarm codes.



## Specifications

Catalog Number	348	349	449
Dimensions	5-1/8" (130mm) Diameter x 1-7/8" (48mm) Deep	6-1/2" (165mm) Diameter x 1-7/8" (48mm) Deep	4-9/16" (116mm) Square x 2" (51mm) Deep
Conduit Entry	3/4" Top		3/4" Top, Back, Bottom
Material	Die Cast Aluminum		
Gasket	Molded Neoprene Rubber	Closed Cell Neoprene	
Finish	Sage Gray Baking Enamel		

## Ordering Information

Catalog Number	Description	Shipping Weight
348	Weatherproof Backbox — Surface Mount with Gasket, 5-1/8" (130mm) Diameter	0.33 lb (0.15kg)
349	Weatherproof Backbox — Surface Mount with Gasket, 6-1/2" (165mm) Diameter	0.5 lb (0.2kg)
449	Weatherproof Backbox — Surface Mount with Gasket, 4-9/16" (116mm) Square.	0.33 lb (0.15kg)



imagination at work